

WorkBook 2018



DOGMA
F10
LIGHT

PINARELLO

DOGMA

F10 LIGHT

PINARELLO

PINARELLO

DURA-ACE

DOGMA
F10
LIGHT

PINARELLO
ThinkAsymmetric

Carbon Torayca T1100 UD Dream Carbon
with Nanoalloy Technology
Asymmetric Frame
Fork ONDA F10 with ForkFlap™
Think2 System with E-Link™
ICR™ Internal Cable Routing
Drop in Bearing System **1" 1/8 - 1"1/2**
Italian thread BB
Seatclamp **TwinForce**
3XAir™ two positions available
for the second bottle
FlatBack Profile
UCI Approved
Max Tyre 700x25mm

925 Black Matt



DOGMA
F10
LIGHT

PINARELLO
ThinkAsymmetric

Carbon Torayca T1100 UD Dream Carbon
with Nanoalloy Technology
Asymmetric Frame
Fork ONDA F10 with ForkFlap™
Think2 System with E-Link™
ICR™ Internal Cable Routing
Drop in Bearing System **1" 1/8 - 1"1/2**
Italian thread BB
Seatclamp **TwinForce**
3XAir™ two positions available
for the second bottle
FlatBack Profile
UCI Approved
Max Tyre 700x25mm

922 Team Sky



DOGMA
F10
LIGHT

PINARELLO
ThinkAsymmetric

Carbon Torayca T1100 UD Dream Carbon
with Nanoalloy Technology
Asymmetric Frame
Fork ONDA F10 with ForkFlap™
Think2 System with E-Link™
ICR™ Internal Cable Routing
Drop in Bearing System **1" 1/8 - 1"1/2**
Italian thread BB
Seatclamp **TwinForce**
3XAir™ two positions available
for the second bottle
FlatBack Profile
UCI Approved
Max Tyre 700x25mm

923 Red Lines



**DOGMA
F10**



DOGMA F10

Carbon Torayca T1100 1K Dream Carbon
with Nanoalloy Technology

Asymmetric Frame

Fork ONDA F10 with ForkFlap™

Think2 System with E-Link™

ICR™ Internal Cable Routing

Drop in Bearing System 1" 1/8 - 1" 1/2

Italian thread BB

Seatclamp TwinForce

3XAir™ two positions available
for the second bottle

FlatBack Profile

UCI Approved

Max Tyre 700x25mm

PINARELLO
ThinkAsymmetric

167 Black Lava



DOGMA F10

Carbon Torayca T1100 1K Dream Carbon
with Nanoalloy Technology

Asymmetric Frame

Fork ONDA F10 with ForkFlap™

Think2 System with E-Link™

ICR™ Internal Cable Routing

Drop in Bearing System 1" 1/8 - 1" 1/2

Italian thread BB

Seatclamp TwinForce

3XAir™ two positions available
for the second bottle

FlatBack Profile

UCI Approved

Max Tyre 700x25mm

PINARELLO
ThinkAsymmetric

168 Sulfur Yellow



DOGMA F10

Carbon Torayca T1100 1K Dream Carbon
with Nanoalloy Technology

Asymmetric Frame

Fork ONDA F10 with ForkFlap™

Think2 System with E-Link™

ICR™ Internal Cable Routing

Drop in Bearing System 1" 1/8 - 1" 1/2

Italian thread BB

Seatclamp TwinForce

3XAir™ two positions available
for the second bottle

FlatBack Profile

UCI Approved

Max Tyre 700x25mm

PINARELLO
ThinkAsymmetric

166 Red Magma



DOGMA F10

Carbon Torayca T1100 1K Dream Carbon
with Nanoalloy Technology

Asymmetric Frame

Fork ONDA F10 with ForkFlap™

Think2 System with E-Link™

ICR™ Internal Cable Routing

Drop in Bearing System 1" 1/8 - 1 1/2"

Italian thread BB

Seatclamp TwinForce

3XAir™ two positions available

for the second bottle

FlatBack Profile

UCI Approved

Max Tyre 700x25mm

PINARELLO
ThinkAsymmetric

165 Sideral White



DOGMA F10

Carbon Torayca T1100 1K Dream Carbon
with Nanoalloy Technology

Asymmetric Frame

Fork ONDA F10 with ForkFlap™

Think2 System with E-Link™

ICR™ Internal Cable Routing

Drop in Bearing System 1" 1/8 - 1" 1/2

Italian thread BB

Seatclamp TwinForce

3XAir™ two positions available

for the second bottle

FlatBack Profile

UCI Approved

Max Tyre 700x25mm

170 BoB

PINARELLO
ThinkAsymmetric



DOGMA F10

Carbon Torayca T1100 1K Dream Carbon
with Nanoalloy Technology

Asymmetric Frame

Fork ONDA F10 with ForkFlap™

Think2 System with E-Link™

ICR™ Internal Cable Routing

Drop in Bearing System 1" 1/8 - 1" 1/2

Italian thread BB

Seatclamp TwinForce

3XAir™ two positions available
for the second bottle

FlatBack Profile

UCI Approved

Max Tyre 700x25mm

PINARELLO
ThinkAsymmetric

169 Asteroid Red



DOGMA F10

Carbon Torayca T1100 1K Dream Carbon
with Nanoalloy Technology

Asymmetric Frame

Fork ONDA F10 with ForkFlap™

Think2 System with E-Link™

ICR™ Internal Cable Routing

Drop in Bearing System 1" 1/8 - 1" 1/2

Italian thread BB

Seatclamp TwinForce

3XAir™ two positions available
for the second bottle

FlatBack Profile

UCI Approved

Max Tyre 700x25mm

PINARELLO
ThinkAsymmetric

905 Team Sky



DOGMA F10

Carbon Torayca T1100 1K Dream Carbon
with Nanoalloy Technology

Asymmetric Frame

Fork ONDA F10 with ForkFlap™

Think2 System with E-Link™

ICR™ Internal Cable Routing

Drop in Bearing System 1" 1/8 - 1" 1/2

Italian thread BB

Seatclamp TwinForce

3XAir™ two positions available
for the second bottle

FlatBack Profile

UCI Approved

Max Tyre 700x25mm

PINARELLO
ThinkAsymmetric

919 Team Sky White



DOGMA F10

Carbon Torayca T1100 1K Dream Carbon
with Nanoalloy Technology

Asymmetric Frame

Fork ONDA F10 with ForkFlap™

Think2 System with E-Link™

ICR™ Internal Cable Routing

Drop in Bearing System 1" 1/8 - 1" 1/2

Italian thread BB

Seatclamp TwinForce

3XAir™ two positions available

for the second bottle

FlatBack Profile

UCI Approved

Max Tyre 700x25mm

PINARELLO
ThinkAsymmetric

911 Colombia



DOGMA F10

Carbon Torayca T1100 1K Dream Carbon
with Nanoalloy Technology

Asymmetric Frame

Fork ONDA F10 with ForkFlap™

Think2 System with E-Link™

ICR™ Internal Cable Routing

Drop in Bearing System 1" 1/8 - 1" 1/2

Italian thread BB

Seatclamp TwinForce

3XAir™ two positions available
for the second bottle

FlatBack Profile

UCI Approved

Max Tyre 700x25mm

PINARELLO
ThinkAsymmetric

906 Wiggins Black



DOGMA F10

Carbon Torayca T1100 1K Dream Carbon
with Nanoalloy Technology

Asymmetric Frame

Fork ONDA F10 with ForkFlap™

Think2 System with E-Link™

ICR™ Internal Cable Routing

Drop in Bearing System 1" 1/8 - 1" 1/2

Italian thread BB

Seatclamp TwinForce

3XAir™ two positions available
for the second bottle

FlatBack Profile

UCI Approved

Max Tyre 700x25mm

PINARELLO
ThinkAsymmetric

912 Wiggins White



DOGMA F10

Carbon Torayca T1100 1K Dream Carbon
with Nanoalloy Technology

Asymmetric Frame

Fork ONDA F10 with ForkFlap™

Think2 System with E-Link™

ICR™ Internal Cable Routing

Drop in Bearing System 1" 1/8 - 1" 1/2

Italian thread BB

Seatclamp TwinForce

3XAir™ two positions available
for the second bottle

FlatBack Profile

UCI Approved

Max Tyre 700x25mm

913 GFP17

924 GFP17 DISK

PINARELLO
ThinkAsymmetric



DOGMA F10

Carbon Torayca T1100 1K Dream Carbon
with Nanoalloy Technology

Asymmetric Frame

Fork ONDA F10 with ForkFlap™

Think2 System with E-Link™

ICR™ Internal Cable Routing

Drop in Bearing System 1" 1/8 - 1" 1/2

Italian thread BB

Seatclamp TwinForce

3XAir™ two positions available
for the second bottle

FlatBack Profile

UCI Approved

Max Tyre 700x25mm

PINARELLO
ThinkAsymmetric

914 GIRO 100





DOGMA
F10
DISK

DOGMA

F10

PINARELLO

ONDA

PINARELLO

DURANCE

DOGMA F10 DISK

PINARELLO
ThinkAsymmetric

Carbon Torayca T1100 1K Dream Carbon

with Nanoalloy Technology

Asymmetric Frame

Fork ONDA F10 with ForkFlap™

Think2 System with E-Link™

ICR™ Internal Cable Routing

Drop in Bearing System 1" 1/8 - 1"1/2

Italian thread BB

Seatclamp TwinForce

3XAir™ two positions available

FlatBack Profile

UCI Approved

RAD SYSTEM Disk brake

Front Axle 100x12mm Shimano®

Rear Axle 142x12mm Shimano®

Disk Flat Mount max 160mm

Max Tyre 700x25mm

915 Mars Orange



DOGMA F10 DISK

PINARELLO
ThinkAsymmetric

Carbon Torayca T1100 1K Dream Carbon
with Nanoalloy Technology
Asymmetric Frame
Fork ONDA F10 with ForkFlap™
Think2 System with E-Link™
ICR™ Internal Cable Routing
Drop in Bearing System **1" 1/8 - 1"1/2**
Italian thread BB
Seatclamp **TwinForce**
3XAir™ two positions available
FlatBack Profile
UCI Approved
RAD SYSTEM Disk brake
Front Axle 100x12mm Shimano®
Rear Axle 142x12mm Shimano®
Disk Flat Mount max 160mm
Max Tyre 700x25mm

916 Black Lava



DOGMA F10 DISK

PINARELLO
ThinkAsymmetric

Carbon Torayca T1100 1K Dream Carbon
with Nanoalloy Technology
Asymmetric Frame
Fork ONDA F10 with ForkFlap™
Think2 System with E-Link™
ICR™ Internal Cable Routing
Drop in Bearing System 1" 1/8 - 1"1/2
Italian thread BB
Seatclamp TwinForce
3XAir™ two positions available
FlatBack Profile
UCI Approved
RAD SYSTEM Disk brake
Front Axle 100x12mm Shimano®
Rear Axle 142x12mm Shimano®
Disk Flat Mount max 160mm
Max Tyre 700x25mm

917 BoB



DOGMA F10 DISK

PINARELLO
Think Asymmetric

Carbon Torayca T1100 1K Dream Carbon
with Nanoalloy Technology
Asymmetric Frame
Fork ONDA F10 with ForkFlap™
Think2 System with E-Link™
ICR™ Internal Cable Routing
Drop in Bearing System **1" 1/8 - 1"1/2**
Italian thread BB
Seatclamp **TwinForce**
3XAir™ two positions available
FlatBack Profile
UCI Approved
RAD SYSTEM Disk brake
Front Axle 100x12mm Shimano®
Rear Axle 142x12mm Shimano®
Disk Flat Mount max 160mm
Max Tyre 700x25mm

918 Red Magma



DOGMA F10 DISK

PINARELLO
Think Asymmetric

Carbon Torayca T1100 1K Dream Carbon
with Nanoalloy Technology
Asymmetric Frame
Fork ONDA F10 with ForkFlap™
Think2 System with E-Link™
ICR™ Internal Cable Routing
Drop in Bearing System 1" 1/8 - 1"1/2
Italian thread BB
Seatclamp **TwinForce**
3XAir™ two positions available
FlatBack Profile
UCI Approved
RAD SYSTEM Disk brake
Front Axle 100x12mm Shimano®
Rear Axle 142x12mm Shimano®
Disk Flat Mount max 160mm
Max Tyre 700x25mm

920 Team Sky





DOGMA
K10S
DISK

DOGMA K10 DISK

PINARELLO
ThinkAsymmetric

Carbon Torayca T1100 1K Dream Carbon
with Nanoalloy Technology
Asymmetric Frame
Fork ONDA F10 with ForkFlap™
Think2 System with E-Link™
ICR™ Internal Cable Routing
Drop in Bearing System **1" 1/8 - 1"1/2**
Italian thread BB
Seatclamp **TwinForce**
3XAir™ two positions available
eDSS Electronic suspension or **DSS** suspension
FlatBack Profile
UCI Approved
RAD SYSTEM Disk brake
Front Axle 100x12mm Shimano®
Rear Axle 142x12mm Shimano®
Disk Flat Mount max 160mm
Max Tyre 700x28mm

698 White Orange



DOGMA K10 DISK

PINARELLO
ThinkAsymmetric

Carbon Torayca T1100 1K Dream Carbon
with Nanoalloy Technology
Asymmetric Frame
Fork ONDA F10 with ForkFlap™
Think2 System with E-Link™
ICR™ Internal Cable Routing
Drop in Bearing System 1" 1/8 - 1"1/2
Italian thread BB
Seatclamp **TwinForce**
3XAir™ two positions available
eDSS Electronic suspension or **DSS** suspension
FlatBack Profile
UCI Approved
RAD SYSTEM Disk brake
Front Axle 100x12mm Shimano®
Rear Axle 142x12mm Shimano®
Disk Flat Mount max 160mm
Max Tyre 700x28mm

699 Black Red



DOGMA K10 DISK

Carbon Torayca T1100 1K Dream Carbon
with Nanoalloy Technology
Asymmetric Frame
Fork ONDA F10 with ForkFlap™
Think2 System with E-Link™
ICR™ Internal Cable Routing
Drop in Bearing System 1" 1/8 - 1"1/2
Italian thread BB
Seatclamp **TwinForce**
3XAir™ two positions available
eDSS Electronic suspension or **DSS** suspension
FlatBack Profile
UCI Approved
RAD SYSTEM Disk brake
Front Axle 100x12mm Shimano®
Rear Axle 142x12mm Shimano®
Disk Flat Mount max 160mm
Max Tyre 700x28mm

700 BoB

PINARELLO
ThinkAsymmetric





DOGMA
K10

DOGMA K10

Carbon Torayca T1100 1K Dream Carbon
with Nanoalloy Technology
Asymmetric Frame
Fork ONDA F10 with ForkFlap™
Think2 System with E-Link™
ICR™ Internal Cable Routing
Drop in Bearing System 1" 1/8 - 1"1/2
Italian thread BB
Seatclamp TwinForce
3XAir™ two positions available
for the second bottle
FlatBack Profile
UCI Approved
Max Tyre 700x28mm

703 BoB

PINARELLO
ThinkAsymmetric



DOGMA K10

Carbon Torayca T1100 1K Dream Carbon
with Nanoalloy Technology
Asymmetric Frame
Fork ONDA F10 with ForkFlap™
Think2 System with E-Link™
ICR™ Internal Cable Routing
Drop in Bearing System 1" 1/8 - 1"1/2
Italian thread BB
Seatclamp TwinForce
3XAir™ two positions available
for the second bottle
FlatBack Profile
UCI Approved
Max Tyre 700x28mm

701 White Orange

PINARELLO
ThinkAsymmetric



DOGMA K10

Carbon Torayca T1100 1K Dream Carbon
with Nanoalloy Technology
Asymmetric Frame
Fork ONDA F10 with ForkFlap™
Think2 System with E-Link™
ICR™ Internal Cable Routing
Drop in Bearing System 1" 1/8 - 1"1/2
Italian thread BB
Seatclamp TwinForce
3XAir™ two positions available
for the second bottle
FlatBack Profile
UCI Approved
Max Tyre 700x28mm

702 Black Red

PINARELLO
ThinkAsymmetric





GAN
RS

Carbon Fiber T900
Asymmetric Frame
Drop in Bearing System 1" 1/8 - 1"1/2
Think2 System
Internal Cable Routing
Italian BB
FSC Frontal Seat Clamp
FlatBack Profile
Max Tyre 700x23mm
UCI Approved

PINARELLO
ThinkAsymmetric

130 La Rossa



GAN RS

Carbon Fiber T900
Asymmetric Frame
Drop in Bearing System 1" 1/8 - 1"1/2
Think2 System
Internal Cable Routing
Italian BB
FSC Frontal Seat Clamp
FlatBack Profile
Max Tyre 700x23mm
UCI Approved

PINARELLO
ThinkAsymmetric

131 Maglia NERA



**GAN
RS**

Carbon Fiber T900
Asymmetric Frame
Drop in Bearing System 1" 1/8 - 1"1/2
Think2 System
Internal Cable Routing
Italian BB
FSC Frontal Seat Clamp
FlatBack Profile
Max Tyre 700x23mm
UCI Approved

PINARELLO
ThinkAsymmetric

132 Asteroid SKY



GAN
RS

Carbon Fiber T900
Asymmetric Frame
Drop in Bearing System 1" 1/8 - 1"1/2
Think2 System
Internal Cable Routing
Italian BB
FSC Frontal Seat Clamp
FlatBack Profile
Max Tyre 700x23mm
UCI Approved

PINARELLO
ThinkAsymmetric

133 Pinky EasyFIT



GAN RS

Carbon Fiber T900
Asymmetric Frame
Drop in Bearing System 1" 1/8 - 1"1/2
Think2 System
Internal Cable Routing
Italian BB
FSC Frontal Seat Clamp
FlatBack Profile
Max Tyre 700x23mm
UCI Approved

134 ITALIA

PINARELLO
ThinkAsymmetric





GAN
S

Carbon Fiber T700
Asymmetric Frame
Drop in Bearing System 1" 1/8 - 1"1/2
Think2 System
Internal Cable Routing
Italian BB
FSC Frontal Seat Clamp
FlatBack Profile
Max Tyre 700x23mm
UCI Approved

PINARELLO
ThinkAsymmetric

175 Carbon Matt RED Shiny



GAN
S

Carbon Fiber T700
Asymmetric Frame
Drop in Bearing System 1" 1/8 - 1"1/2
Think2 System
Internal Cable Routing
Italian BB
FSC Frontal Seat Clamp
FlatBack Profile
Max Tyre 700x23mm
UCI Approved

176 Carbon Matt
Sky Blue Shiny

PINARELLO
ThinkAsymmetric



GAN
S

PINARELLO
ThinkAsymmetric

Carbon Fiber T700
Asymmetric Frame
Drop in Bearing System 1" 1/8 - 1"1/2
Think2 System
Internal Cable Routing
Italian BB
FSC Frontal Seat Clamp
FlatBack Profile
Max Tyre 700x23mm
UCI Approved

177 Carbon Matt BOB



GAN
S

PINARELLO
ThinkAsymmetric

Carbon Fiber T700
Asymmetric Frame
Drop in Bearing System 1" 1/8 - 1"1/2
Think2 System
Internal Cable Routing
Italian BB
FSC Frontal Seat Clamp
FlatBack Profile
Max Tyre 700x23mm
UCI Approved

178 Carbon Matt Pinky
Shiny



GAN
S

Carbon Fiber T700
Asymmetric Frame
Drop in Bearing System 1" 1/8 - 1"1/2
Think2 System
Internal Cable Routing
Italian BB
FSC Frontal Seat Clamp
FlatBack Profile
Max Tyre 700x23mm
UCI Approved

PINARELLO
ThinkAsymmetric

179 Red Shiny Matt Carbon



GAN
S

Carbon Fiber T700
Asymmetric Frame
Drop in Bearing System 1" 1/8 - 1"1/2
Think2 System
Internal Cable Routing
Italian BB
FSC Frontal Seat Clamp
FlatBack Profile
Max Tyre 700x23mm
UCI Approved

PINARELLO
Think Asymmetric

180 Silver Matt Red Shiny





GAN

Carbon Fiber T600
Asymmetric Frame
Drop in Bearing System 1" 1/8 - 1"1/2
Think2 System
Internal Cable Routing
Italian BB
FSC Frontal Seat Clamp
FlatBack Profile
Max Tyre 700x23mm
UCI Approved

PINARELLO
ThinkAsymmetric

141 Carbon RED



GAN

Carbon Fiber T600
Asymmetric Frame
Drop in Bearing System 1" 1/8 - 1"1/2
Think2 System
Internal Cable Routing
Italian BB
FSC Frontal Seat Clamp
FlatBack Profile
Max Tyre 700x23mm
UCI Approved

PINARELLO
ThinkAsymmetric

142 RED



GAN

Carbon Fiber T600
Asymmetric Frame
Drop in Bearing System 1" 1/8 - 1"1/2
Think2 System
Internal Cable Routing
Italian BB
FSC Frontal Seat Clamp
FlatBack Profile
Max Tyre 700x23mm
UCI Approved

PINARELLO
ThinkAsymmetric

143 WHITE



GAN

Carbon Fiber T600
Asymmetric Frame
Drop in Bearing System 1" 1/8 - 1"1/2
Think2 System
Internal Cable Routing
Italian BB
FSC Frontal Seat Clamp
FlatBack Profile
Max Tyre 700x23mm
UCI Approved

PINARELLO
ThinkAsymmetric

144 BoB



GAN

Carbon Fiber T600
Asymmetric Frame
Drop in Bearing System 1" 1/8 - 1"1/2
Think2 System
Internal Cable Routing
Italian BB
FSC Frontal Seat Clamp
FlatBack Profile
Max Tyre 700x23mm
UCI Approved

PINARELLO
ThinkAsymmetric

145 Carbon Pink Orange



GAN

Carbon Fiber T600
Asymmetric Frame
Drop in Bearing System 1" 1/8 - 1"1/2
Think2 System
Internal Cable Routing
Italian BB
FSC Frontal Seat Clamp
FlatBack Profile
Max Tyre 700x23mm
UCI Approved

PINARELLO
ThinkAsymmetric

146 Carbon Sky Yellow Fluo






GAN
DISK

GAN DISK

Carbon Fiber T600
Asymmetric Frame
Drop in Bearing System 1" 1/8 - 1"1/2
Think2 System
Internal Cable Routing
Italian BB
FSC Frontal Seat Clamp
FlatBack Profile
RAD SYSTEM Disk brake
Front Axle 100x12mm Shimano®
Rear Axle 142x12mm Shimano®
Disk Flat Mount max 160mm
Max Tyre 700x23mm
UCI Approved

148 Orange Shiny

PINARELLO
ThinkAsymmetric



GAN DISK

Carbon Fiber T600
Asymmetric Frame
Drop in Bearing System 1" 1/8 - 1"1/2
Think2 System
Internal Cable Routing
Italian BB
FSC Frontal Seat Clamp
FlatBack Profile
RAD SYSTEM Disk brake
Front Axle 100x12mm Shimano®
Rear Axle 142x12mm Shimano®
Disk Flat Mount max 160mm
Max Tyre 700x23mm
UCI Approved

147 Carbon - Red

PINARELLO
ThinkAsymmetric



GAN DISK

Carbon Fiber T600
Asymmetric Frame
Drop in Bearing System 1" 1/8 - 1"1/2
Think2 System
Internal Cable Routing
Italian BB
FSC Frontal Seat Clamp
FlatBack Profile
RAD SYSTEM Disk brake
Front Axle 100x12mm Shimano®
Rear Axle 142x12mm Shimano®
Disk Flat Mount max 160mm
Max Tyre 700x23mm
UCI Approved

149 BoB

PINARELLO
ThinkAsymmetric





GAN
DISK

GAN
DISK

PINARELLO
Think Asymmetric

Carbon Fiber T600
Asymmetric Frame
Drop in Bearing System 1" 1/8 - 1"1/2
Think2 System
Internal Cable Routing
Italian BB
FSC Frontal Seat Clamp
FlatBack Profile
RAD SYSTEM Disk brake
Front Axle 100x12mm Shimano®
Rear Axle 142x12mm Shimano®
Disk Flat Mount max 160mm
Max Tyre 700x28mm
UCI Approved

151 Silver Red



GAN
DISK

PINARELLO
Think Asymmetric

Carbon Fiber T600
Asymmetric Frame
Drop in Bearing System 1" 1/8 - 1"1/2
Think2 System
Internal Cable Routing
Italian BB
FSC Frontal Seat Clamp
FlatBack Profile
RAD SYSTEM Disk brake
Front Axle 100x12 Shimano®
Rear Axle 142x12mm Shimano®
Disk Flat Mount max 160mm
Max Tyre 700x28mm
UCI Approved

150 Carbon - Red



GAN
DISK

PINARELLO
ThinkAsymmetric

Carbon Fiber T600
Asymmetric Frame
Drop in Bearing System 1" 1/8 - 1"1/2
Think2 System
Internal Cable Routing
Italian BB
FSC Frontal Seat Clamp
FlatBack Profile
RAD SYSTEM Disk brake
Front Axle 100x12mm Shimano®
Rear Axle 142x12mm Shimano®
Disk Flat Mount max 160mm
Max Tyre 700x28mm
UCI Approved

152 BoB



BOLIDE HR **PINARELLO**

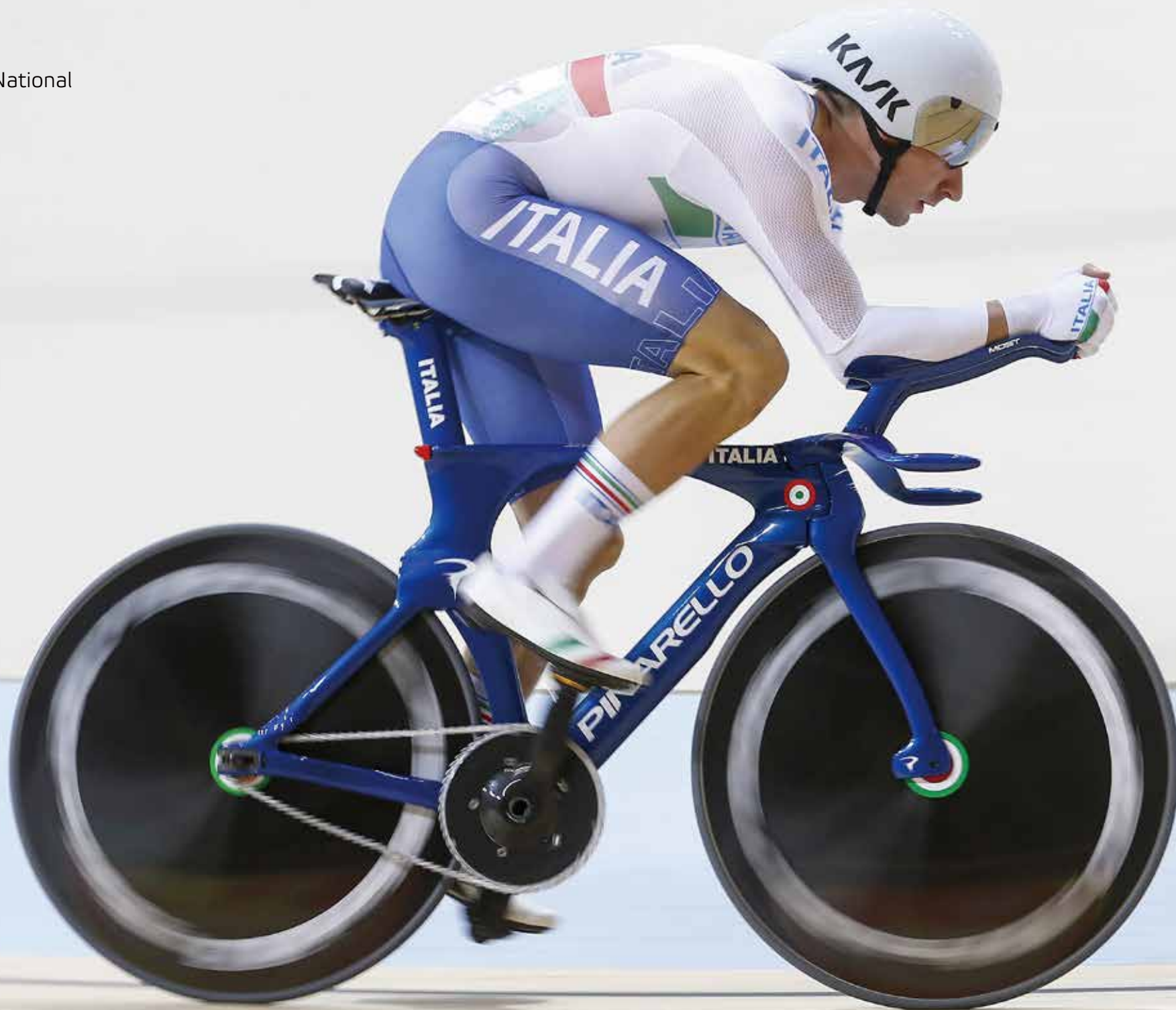
Carbon T1100 1K
with NANOALLOY Technology

Track BIKE
Asymmetric Frame
Drop in Bearing System 1" 1/8 - 1"1/4
Italian BB
Axles Bolt-ON
Max Tires 700x23
Seatpost Aero with Aero Rear Clamp
UCI Approved

PINARELLO
ThinkAsymmetric

866 White - Blue - Red / shiny





BOLIDE 



BOLIDE TT **PINARELLO**

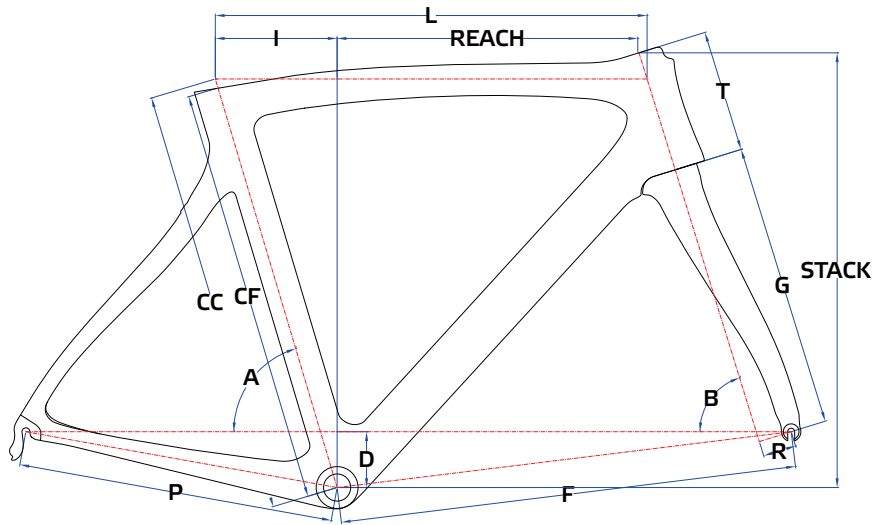
Carbon T1100
with NANOALLOY Technology

Time Trial BIKE
Asymmetric Frame
Drop in Bearing System 1" 1/8 - 1"1/4
Italian BB
Front Axle Quick Release 100mm
Rear Axle Quick Release 135mm
Max Tires 700x23
Seatpost Aero with Aero Rear Clamp
UCI Approved

899 Team SKY

PINARELLO
ThinkAsymmetric





DOGMA F10 / DOGMA XLIGHT / DOGMA F10 Disk

CF	CC	L	I	A [°]	B [°]	F	P	T	D	R	G	REACH	STACK
415	420	498	113	74.40°	69.15°	564	406	105	67	43	367	351	493
435	440	503	118	74.40°	70.00°	564	406	110	67	43	367	357	501
455	465	515	125	74.40°	70.50°	573	406	115	72	43	367	367	512
455	470	525	128	74.00°	71.40°	575	406	125	72	43	367	373	525
480	500	525	138	74.00°	71.40°	575	406	120	72	43	367	374	520
495	515	535	145	73.70°	72.00°	577	406	125	72	43	367	380	527
510	530	545	149	73.70°	72.50°	583	406	139	72	43	367	386	542
520	540	550	154	73.40°	72.80°	583	406	147	72	43	367	386	550
530	550	557	157	73.40°	72.80°	590	408	158	72	43	367	389	561
540	560	565	164	73.00°	73.20°	591	408	165	72	43	367	391	569
555	575	575	168	73.00°	73.70°	596	408	179	72	43	367	397	584
575	595	587	180	72.40°	73.40°	605	408	215	67	43	367	394	612
615	620	620	192	72.00°	73.40°	633	411	255	67	43	367	410	651

*DOGMA F10 DISK NOT AVAILABLE IN 420-470 SIZES

DOGMA K10/ DOGMA K10-S Disk

CF	CC	L	I	A [°]	B [°]	F	P	T	D	R	G	REACH	STACK
440	440	503	118	74,40	69,50	572	420	115	67	47	373	353	508
463	465	515	125	74,40	70,00	581	420	120	72	47	373	364	520
495	500	525	138	74,00	70,90	583	420	125	72	47	373	371	528
508	515	535	145	73,70	71,50	586	415	130	72	47	373	377	535
520	530	545	149	73,70	72,00	592	415	144	72	47	373	383	550
528	540	550	154	73,40	72,30	592	415	152	72	47	373	383	559
535	550	557	157	73,40	72,30	599	415	163	72	47	373	386	569
543	560	565	164	73,00	72,70	599	415	170	72	47	373	388	577
558	575	575	168	73,00	73,20	605	415	184	72	47	373	394	593
589	595	587	180	72,40	72,90	614	415	220	67	47	373	391	621

GAN RS / GAN S / GAN / GAN DISK

CF	CC	L	I	A [°]	B [°]	F	P	T	D	R	G	REACH	STACK
435	440	503	118	74,40	70,00	565	408	115	67	43	367	354	506
460	465	515	124	74,40	70,50	575	408	120	67	43	367	367	513
495	500	525	138	74,00	71,40	575	408	125	72	43	367	372	525
510	515	535	145	73,70	72,00	577,5	408	130	72	43	367	378	532
525	530	545	149	73,70	72,50	583	408	139	72	43	367	386	543
535	540	550	154	73,40	72,80	583	408	152	72	43	367	384	556
545	550	557	157	73,40	72,80	590	408	163	72	43	367	387	567
555	560	565	163	73,00	73,20	591	410	170	72	43	367	390	575
570	575	575	168	73,00	73,70	596	410	184	72	43	367	395	590
590	595	587	180	72,40	73,40	605	410	210	67	43	367	395	609

GAN RS EASY FIT / GAN S EASY FIT / GAN EASY FIT / GAN EASY FIT Disk

CF	CC	L	I	A [°]	B [°]	F	P	T	D	R	G	REACH	STACK
440	425	500	117	74,00	70,00	563	408	115	67	50	367	348	504
475	460	512	127	74,00	71,00	570	408	130	67	50	367	358	522
505	490	528	139	73,50	72,00	575	408	145	72	50	367	365	544
525	510	545	149	73,00	72,00	588	408	155	72	50	367	374	554

GAN K DISK

CF	CC	L	I	A [°]	B [°]	F	P	T	D	R	G	REACH	STACK
435	425	495	112	74,75	69,25	567	415	112	67	47	373	348	504
450	440	502	118	74,50	69,50	572	415	117	67	47	373	352	510
480	470	515	130	74,00	70,00	578	415	120	72	47	373	361	519
510	500	530	142	73,50	71,00	582	415	128	72	47	373	370	530
540	530	550	155	73,00	72,00	590	415	145	72	47	373	381	550
570	560	570	168	72,50	72,50	601	415	170	72	47	373	388	576
600	590	595	182	72,00	72,50	621	415	215	67	47	373	396	614

BOLIDE HR

CF	CC	L	I	A [°]	B [°]	F	P	T	D	R	G	REACH	STACK
514	450	488	101	77,00	72,00	557	385	74	62	43	368,5	377	469
539	525	514	118	77,00	73,00	582	385	94	62	43	368,5	402	492
554	550	545	123	77,00	73,00	614	385	110	62	43	368,5	430	508

BOLIDE TT

CF	CC	L	I	A [°]	B [°]	F	P	T	D	R	G	REACH	STACK
472	450	488	101	77,00	72,00	559	395	70	57	43	368,5	380	461
492	485	507	109	77,00	72,50	576	395	82	62	43	368,5	396	479
508	520	526	117	77,00	73,00	593	395	96	62	43	368,5	413	494
521	550	545	124	77,00	73,00	614	395	110	62	43	368,5	430	507

2018 Tech Features

MODEL	MATERIAL	DISCIPLINE	UCI LABEL	ASYM SYSTEM	BRAKE	BOTTOM BRACKET	HEADSET	CABLE ROUTING	AXLES	SUSPENSION
DOGMA F10 Xlight	Carbon T1100 UD Torayca	ROAD RACING	YES	YES	RIM standard	ITALIAN Thread	Drop In (Upper 1-1/8 - Lower 1-1/2)	Think 2	Quick Release	NO
DOGMA F10	Carbon T1100 1K Torayca	ROAD RACING	YES	YES	RIM standard	ITALIAN Thread	Drop In (Upper 1-1/8 - Lower 1-1/2)	Think 2	Quick Release	NO
DOGMA F10 Disk	Carbon T1100 1k Torayca®	ROAD RACING	YES	YES	DISK Flat Mount	ITALIAN Thread	Drop In (Upper 1-1/8 - Lower 1-1/2)	Think2	Thru Axle	NO
DOGMA K10-s Disk	Carbon T1100 1k Torayca®	ROAD RACING	YES	YES	DISK Flat Mount	ITALIAN Thread	Drop In (Upper 1-1/8 - Lower 1-1/2)	Think2	Thru Axle	DSS / eDSS (electronic)
DOGMA K10	Carbon T1100 1k Torayca®	ROAD RACING	YES	YES	RIM standard	ITALIAN Thread	Drop In (Upper 1-1/8 - Lower 1-1/2)	Think2	Quick Release	NO
GAN RS	Carbon T900	ROAD RACING	YES	YES	RIM standard	ITALIAN Thread	Drop In (Upper 1-1/8 - Lower 1-1/2)	Think2	Quick Release	NO
GAN S	Carbon T700	ROAD RACING	YES	YES	RIM standard	ITALIAN Thread	Drop In (Upper 1-1/8 - Lower 1-1/2)	Think2	Quick Release	NO
GAN	Carbon T600	ROAD RACING	YES	YES	RIM standard	ITALIAN Thread	Drop In (Upper 1-1/8 - Lower 1-1/2)	Think2	Quick Release	NO
GAN Disk	Carbon T600	ROAD RACING	YES	YES	DISK Flat Mount	ITALIAN Thread	Drop In (Upper 1-1/8 - Lower 1-1/2)	Think2	Thru Axle	NO
GAN K Disk	Carbon T600	ROAD RACING	YES	YES	DISK Flat Mount	ITALIAN Thread	Drop In (Upper 1-1/8 - Lower 1-1/2)	Think2	Thru Axle	NO
BOLIDE HR	Carbon T1100 1k Torayca®	TRACK	YES	YES	NO BRAKE	ITALIAN Thread	Drop In (Upper 1-1/8 - Lower 1-1/4)	NO CABLE	BOLT ON	NO
BOLIDE TT	Carbon T1100 Torayca®	TIME TRIAL	YES	YES	RIM Pinarello Bolide	ITALIAN Thread	Drop In (Upper 1-1/8 - Lower 1-1/4)	Think2	Quick Release	NO



7100



PINARELLO[®]
Think Asymmetric

Viale della Repubblica 12

31020 Villorba (TV) Italia

Tel. +39 0422 420877

infobike@pinarello.com

www.pinarello.com